


# PRODUCT SHEET

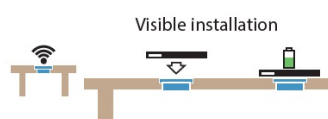
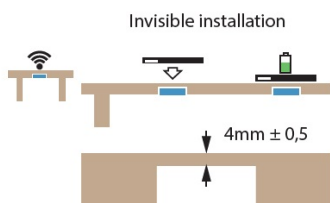
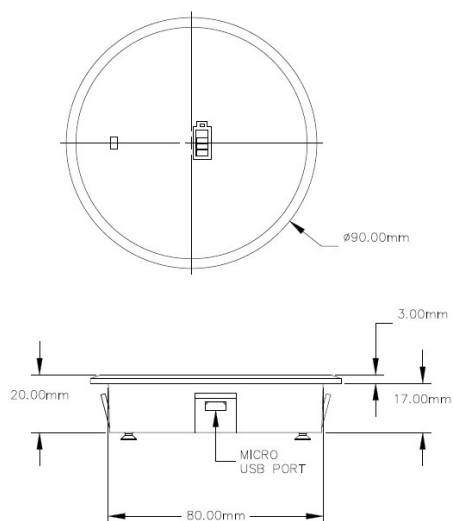
## Description:

Wireless Charger Grommet, 15W, ø80mm Drilling, Black ABS, W/ 1,5 Mtr. Cable W/USB C Plug & Power Adaptor, May be installed, Visible or Invisible by removing the Top Lid

## Item number:

25.22.703-0

Units	Box	Carton	HS Code	Barcode
Pcs.	1	40	8543709099	
				5704866457200



## SISO A/S

Mileparken 11  
DK-2740 Skovlunde  
Denmark  
VAT: DK 24786013

Phone +45 45 830 900

www.siso.dk  
siso@siso.dk

Danske Bank  
Nytorv Branch  
Copenhagen  
SWIFT: DABADKKK

Account no.  
4180 3112 112936  
IBAN Account  
DK7230003112112936